

TIE DOWN

S A F E T Y

www.tiedown.com

EZ-Ladder Standoff

Model #13834

Align open end of the EZ Standoff bracket with two top open rungs located on outside of ladder rail.

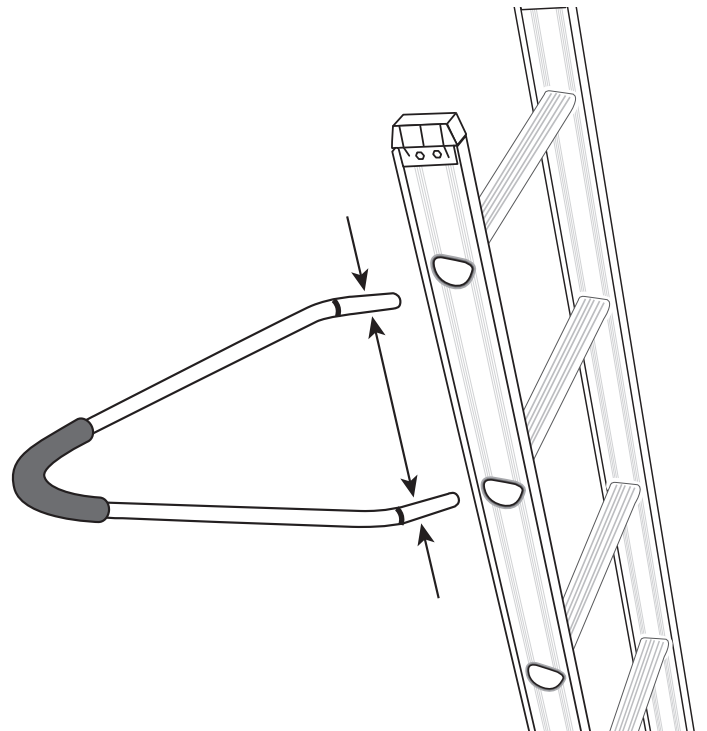
The 2 ends of each EZ Standoff bracket must be squeezed inward (or pulled out) each other to align and slide into rung openings.

Slide the 2 bracket ends into the 2 corresponding rung holes simultaneously.

The tension, when released, will hold the bracket in place.

Bracket end should insert the rung holes a minimum of 4-3/4". This would equate to sliding the bracket ends into the holes until the bend in the elbow won't allow further inward movement.

Do not drag or slide the EZ Standoff across the working surface. This will destroy the padded elbow.



TIE DOWN

MANUFACTURING INGENUITY

Safety Products Division
605 Stonehill Drive SW, Atlanta, Georgia 30336
404-344-0000 • www.tiedown.com
ISO 9001:2015 Certification
Intellectual Property of TIE DOWN Inc. ©2021 TIE DOWN, Inc.
Instruction #08384 (E1849 Rev. 5/17/21)